

Fig. 34. Arrangement of Gearing and Bearings for Vertical Shaft.

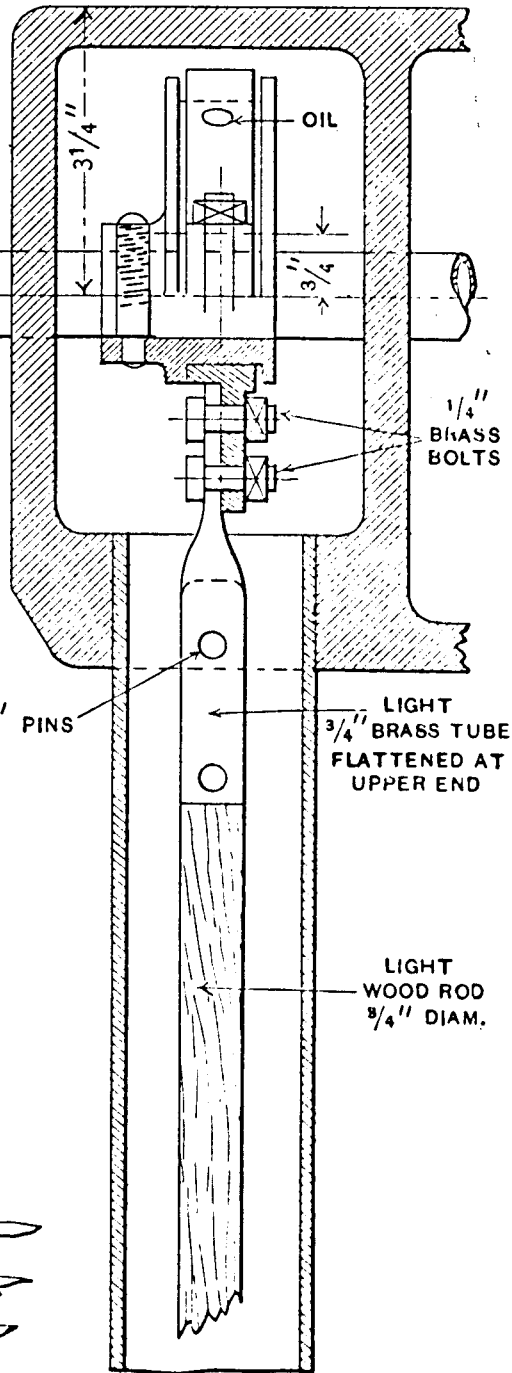
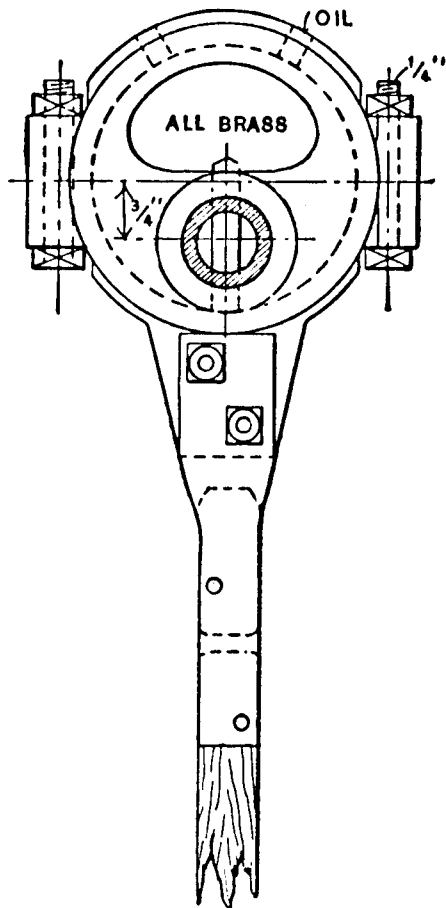


Fig. 35. Eccentric and Rod for Pumping Gear.



Side View of Eccentric for Pumping Gear.