

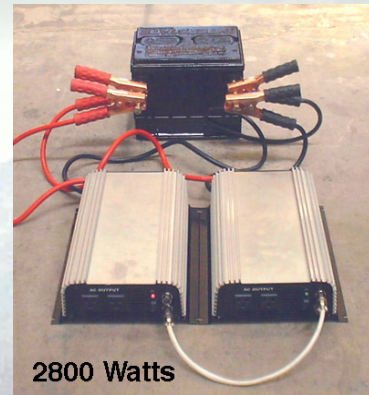
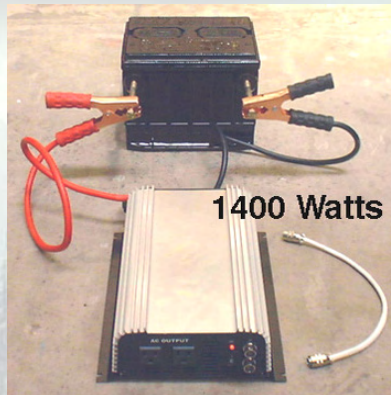
SERIES #SFW -

Semi-full sine wave inverters

Semi-full sine wave / Active wave / Smart wave form type

1400/2800 WATT
POWER INVERTERS -

1800/3600 WATT
POWER INVERTERS -



*With semi-full sine wave and **stackable** design for as much power as you need!*

We have them all -

12 VDC input to run 110 VAC appliances

24 VDC input to run 110 VAC appliances

48 VDC input to run 110 VAC appliances

12 VDC input to run 220 VAC -50 hz appliances

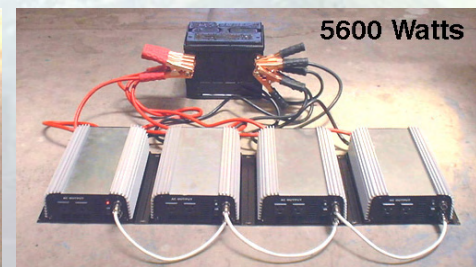
24 VDC input to run 220 VAC -50 hz appliances

48 VDC input to run 220 VAC -50 hz appliances

12 VDC input to run 220 VAC -60 hz appliances

24 VDC input to run 220 VAC -60 hz appliances

48 VDC input to run 220 VAC -60 hz appliances



This high quality high optimum efficiency power inverter can take a power from any lead/acid type battery and change it into common house hold power! Put two together and double your power, add as many as you like!

Each inverter includes; 2 AC receptacles, one phasing cable, two power cables one red and one black both with battery clamps.

You are looking at a compact semi-full sine wave power inverter that can take power from lead acid batteries and turn it into household AC power.

99% of all power inverters you have ever seen come from a gigantic company in Taiwan. They market their goods

under hundreds of popular brand names but they are all made in the same factory. Our inverters differ from the Taiwanese designs since we use fewer but more powerful transistors and this allows the unit to be half the physical size of other units in the same wattage range.

Further more, this inverter is a [semi-full sine wave](#) which gives you more power as your load increases and saves energy at low or zero power conditions! Our inverter does not look like any inverter you have commonly seen. No fancy flashing light bars on this model, we spent the extra money making it indestructible and creating a smart wave form generator that automatically adjusts itself during heavy loads to give you more power! Ideal for your car, emergency power loss and camping, natural disasters and emergencies.

All components are computer protected so it is impossible to blow this one up. It also has a powerful built-in cooling fan WHICH only runs if the inverter gets hot. This feature save lots of battery power during idle times. The fans on other inverters run continually wasting tons of battery power yearly. Also the idle the wave is not full width and only kicks up to full width power on demand! This means more energy savings for you! This inverter has a very SMART micro computer!!!

These inverters have an **active wave form**. The semi-full sine wave type changes wave forms as appliances start demanding more power during the time of active loads. At rest it has 6 simple steps per cycle which saves you lots of power during idle times. Now when at full power it changes to a fuller width sine wave which really helps motors and electronics stay cooler work better, that is when you need a wave form with a fuller width the most. Having a full sine wave type inverter during idle time is a BIG 30% waste of power! Old style full sine wave type units are horrible power hogs! The **active wave** of our semi-full sine wave inverters is smart and changes only as appliances start demanding more power. Saving power when at rest and widening the wave form to fuller width sine wave when you need it most puts this inverter in a new class. Its all about saving energy! [MORE](#)

This may finally be the last power inverter you have to buy! Rated for super long 25 year service factor and that is running it 24/7 non-stop!

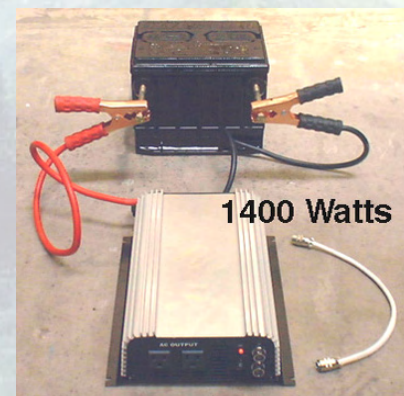
Please do not judge this inverter in the same class you would put others in. Comparing apples to oranges??? Well in that case this inverter is no apple, it is in fact a diamond!

This inverter comes in original box, never used. Uncle Sam was quoted \$1200.00 a pop for these little jewels but they are now surplus and come with a 30 day exchange only warranty.

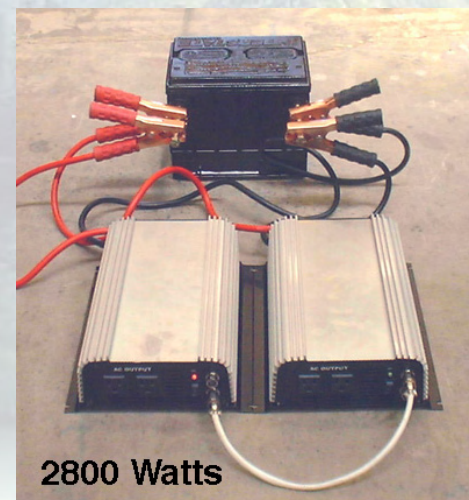
Buy a wind turbine, a BIG battery and these inverters and become energy independent!

Operate almost any appliance in your household:

- Refrigerators and deep freezers.
- Small Circular and cutoff saws.
- Sump pumps.
- Computers
- Laser printers



- Big screen TV's
- Garbage disposers.
- Electric chain saws.
- Hair blow dryers on low setting.
- Small Low Wattage Microwave ovens.
- Small Air compressors.
- Washing machines.
- Gas heated cloths dryers.
- Flood lights.
- Air conditioners and space heaters.



Specifications:

- Includes two (2) standard North American outlets with ground.
- Optimum Efficiency +95.00%
- Power switch 'off' current draw is well under 1/16 Amp.
- Input Voltage Range 12V to 16V max.
- Cooling Fan.
- 30 day exchange warranty.
- Boxing dimensions LxWxH (in.) 13" x 10" x 4"
- Weight Approx (14 lbs.)

Great for Cabins, remote work shops, contractors on the job site and energy efficient homes!!!

Great for motor homes! Forget all that generator noise.

Need a remote switch? You can simply use the existing on/off switch located on the inverters control panel and extend the two wires to any length you wish to make a simple remote switch.



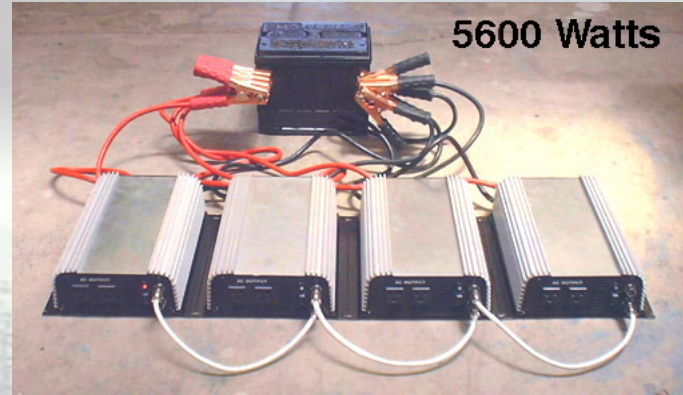
POWER ARRAY

Stackable Power Inverters.

Modular Array Design.

Build up as much or as little power as you need!

These inverters may be used alone or in multiples!



Each power inverter in the stackable modular array is rated at 1400 watts. You may put together as many as you wish for all the power you ever need!



1400 Watt / 110 AC Appliance Series available in

12 and 24 DC inputs.

60 htz



#SFW12110 - 1400 Watt - 12 Volt DC input for 110 AC appliances.

(2800 Watts Surge / 60 htz)

Only \$199.95 - Plus \$19.05 S&H (Anywhere in the contiguous 48 states USA)

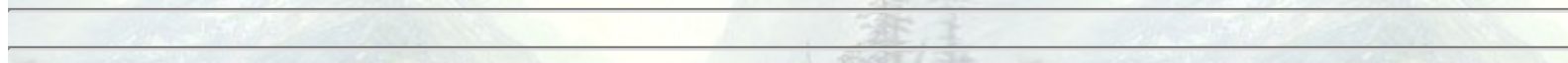
Add to Cart

#SFW24110 - 1400 Watt - 24 Volt DC input for 110 AC appliances.

(2800 Watts Surge / 60 htz)

Only \$199.95 - Plus \$19.05 S&H each (Anywhere in the contiguous 48 states USA)

Add to Cart





1400 Watt / 220 AC Appliance Series available in

12, 24 and 48 DC inputs.

Available in 50 htz or 60 htz models

#SFW1222060 - 1400 Watt - 12 Volt DC input for 220 AC *appliances.*

(2800 Watts Surge / 60 htz only!)

Only \$249.95 - Plus \$19.05 S&H (Anywhere in the contiguous 48 states USA) [Add to Cart](#)

#SFW2422050 - 1400 Watt - 24 Volt DC input for 220 AC *appliances.*

(2800 Watts Surge / 50 htz)

Only \$249.95 - Plus \$19.05 S&H (Anywhere in the contiguous 48 states USA) [Add to Cart](#)

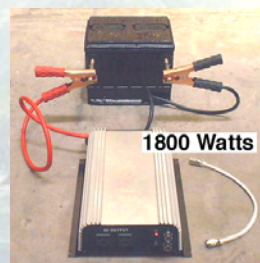
#SFW2422060 - 1400 Watt - 24 Volt DC input for 220 AC *appliances.*

(2800 Watts Surge / 60 htz)

Only \$249.95 - Plus \$19.05 S&H (Anywhere in the contiguous 48 states USA) [Add to Cart](#)



1800 Watt / 110 AC Appliance Series
available in 12, 24 and 48 DC inputs. *50/60 htz convertible*

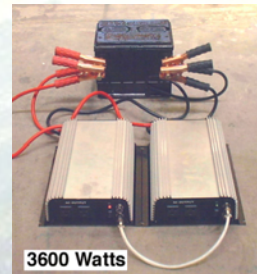


#121101800 - 1800 Watt - 12 Volt DC input for 110 AC *appliances.*

(3600 Watts Surge / 60 htz) **Only \$399.95 - Plus \$19.05 S&H**

(Anywhere in the contiguous 48 states USA)

[Add to Cart](#)



#241101800 - 1800 Watt - 24 Volt DC input for 110 AC appliances.

(3600 Watts Surge / 60 htz) Only \$399.95 - Plus \$19.05 S&H

(Anywhere in the contiguous 48 states USA)

[Add to Cart](#)

#481101800 - 1800 Watt - 48 Volt DC input for 110 AC appliances.

Buy now!!! Stock getting low!!!

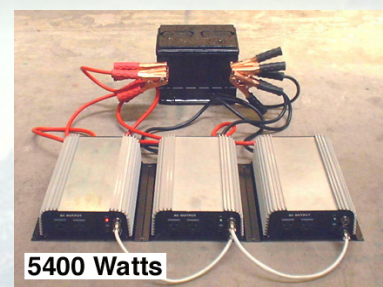
(3600 Watts Surge / 60 htz) Only \$499.95 - Plus \$19.05 S&H

(Anywhere in the contiguous 48 states USA)

[Add to Cart](#)



1800 Watt / 220 AC Appliance Series
available in 12, 24 and 48 DC inputs. 50/60 htz
convertible with simple internal jumper pin.



#122201800 - 1800 Watt - 12 Volt DC input for 220 AC appliances.

(3600 Watts Surge, 50/60 htz) Only \$899.95 - Plus \$19.05 S&H

(Anywhere in the contiguous 48 states USA)

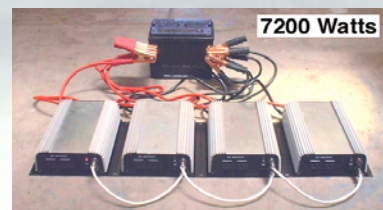
[Add to Cart](#)

#242201800 - 1800 Watt - 24 Volt DC input for 220 AC appliances.

(3600 Watts Surge, 50/60 htz) Only \$399.95 - Plus \$19.05 S&H

(Anywhere in the contiguous 48 states USA)

[Add to Cart](#)



#482201800 - 1800 Watt - 48 Volt DC input for 220 AC appliances.

SOLD OUT SOLD OUT SOLD OUT SOLD OUT

(3600 Watts Surge, 50/60 htz) Only \$499.95 - Plus \$19.05 S&H

(Anywhere in the contiguous 48 states USA)

Add to Cart

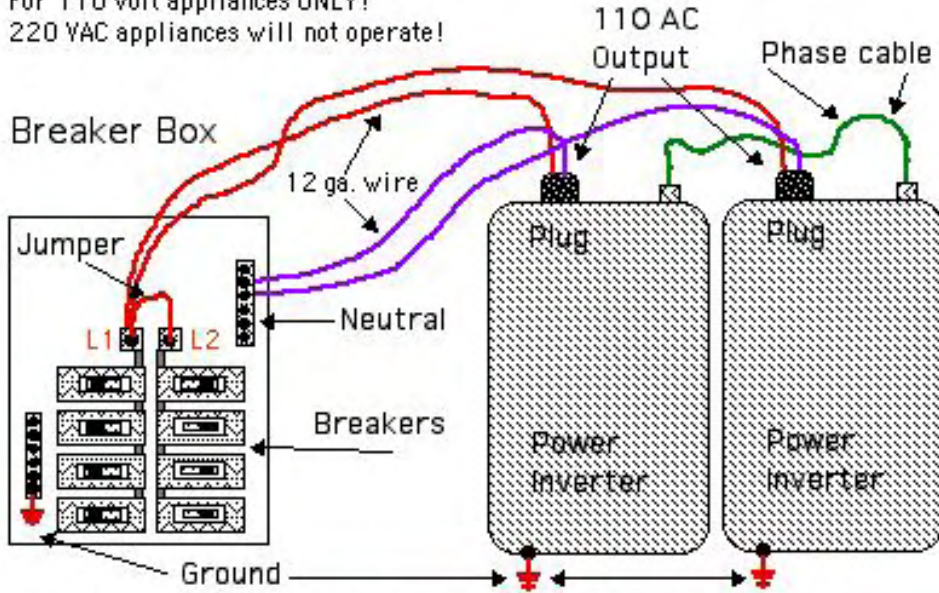
SOLD OUT - SOLD OUT

THIS IS FOR PHASED 110 VAC SYSTEMS ONLY!

This will only activate 110 VAC systems

For 110 volt appliances ONLY!

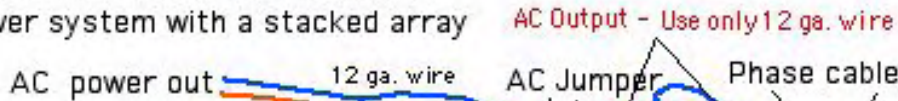
220 VAC appliances will not operate!



This diagram shows 2 units but you may add as many as you require. Build up as much Wattage as you need. This design is future today!

DIAGRAM FOR MOBILE PHASED SYSTEMS ONLY!

This shows how to wire a mobile power system with a stacked array

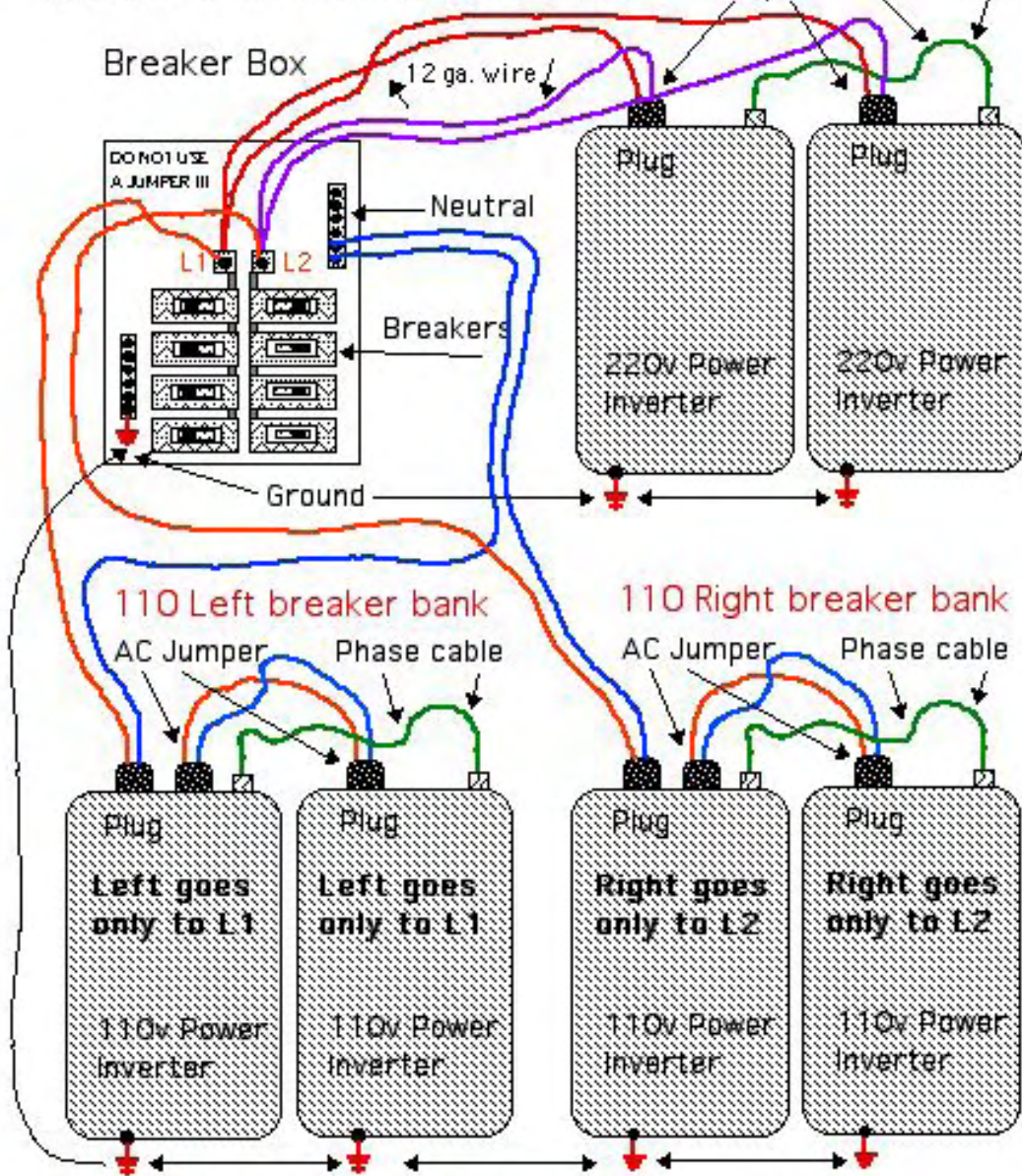


AC jumper allows all inverters share power thus increasing the total wattage. On mobile systems you can only use 3 jumpers for a total of 4 inverters before you need to go into a breaker box.

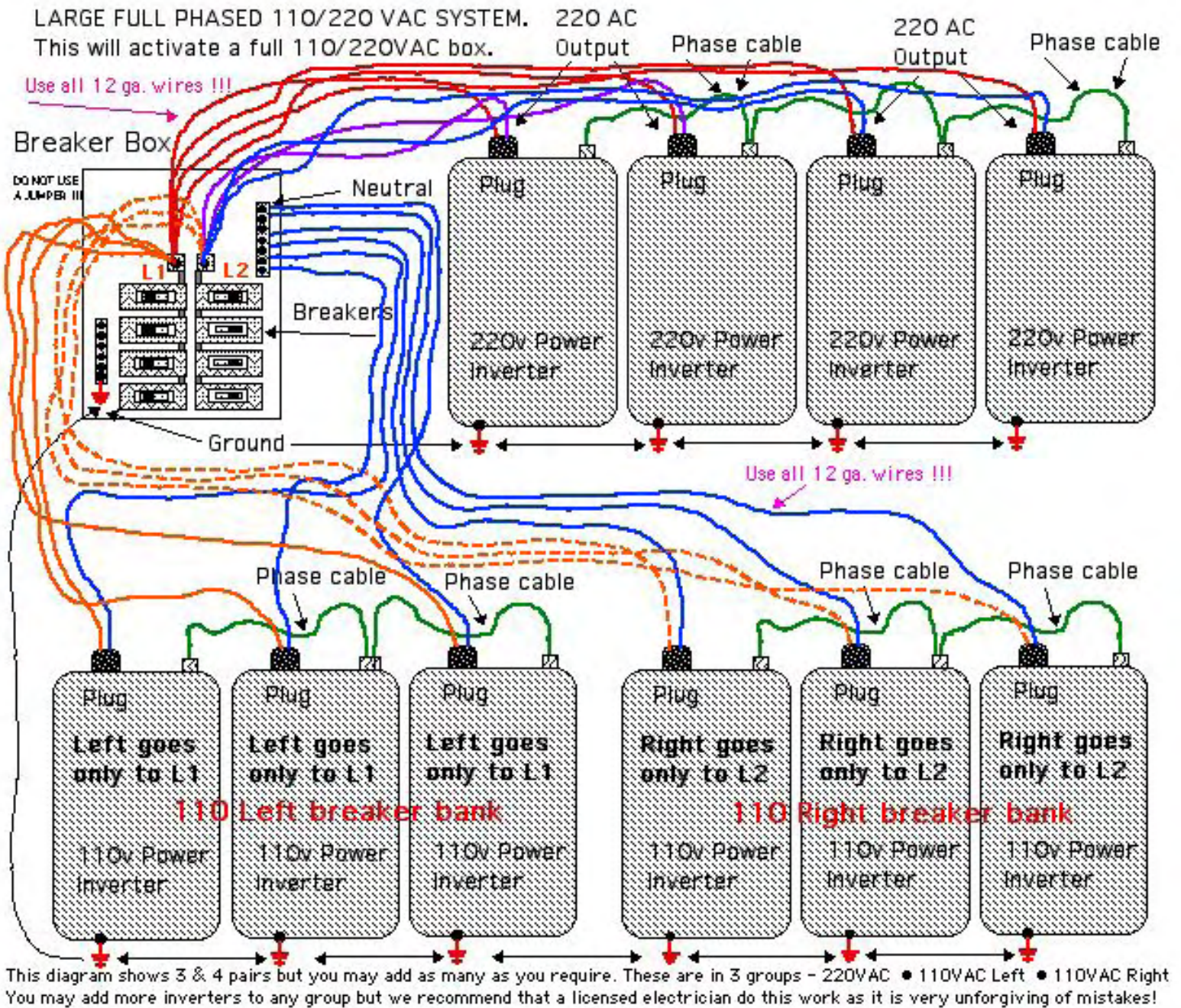
NOTE: AC jumpers must be in phase! Most power cords have a white and a black wire. Make sure they match! White wire on the left prongs and the black wire on all the right prongs! THIS IS IMPORTANT OR KABOOM!

Connect ALL phasing wires before energizing!

SMALL FULL PHASED 110/220 VAC SYSTEM. 220 AC Output Phase cable
This will activate a full 110/220VAC box.



This diagram shows 2 pairs but you may add as many as you require. These are in 3 groups. 220VAC / 110VAC Left / 110VAC Right You may add more inverters to any group but we recommend that a licensed electrician do this work as it is very unforgiving of mistakes!



What you are building here are three totally separate circuit groups all electrically independent from each other yet in phase within their own 3 respective groups.

The 110 and 220 sides are electrically separate when operated from **inverters** since the neutral is **NOT coming from the center leg** of a 220 transformer any longer so they do not have to be in phase like grid systems do. The **left and right 110 inverters MUST be in separate groups** or they will short out the 220 side of the breaker box! L1 and L2 can **NEVER touch each other** directly other than through the 220 inverters to power appliances of course.

Design notes and Impossibilities:

Units stack on the AC side in parallel ONLY but NOT in series. 110 + 110 in series will NOT work out to be 220 volts!

The computer will shut both units down. You can not use a phase cable to hookup a 110V and 220V

inverter together.

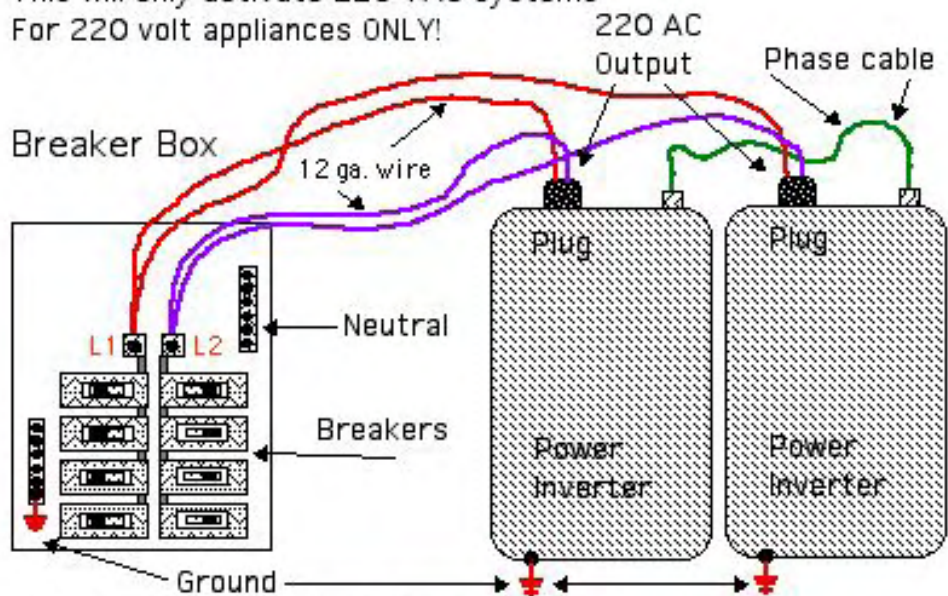
The 220VAC inverters do NOT have a neutral so you can NOT run 110VAC appliances from them, Study the drawings above carefully!

MORE DIAGRAMS SHOWING NON- PHASED BREAKER BOX SYSTEM SET UPS

THIS IS FOR PHASED 220 VAC SYSTEMS ONLY!

This will only activate 220 VAC systems

For 220 volt appliances ONLY!



This diagram shows 2 units but you may add as many as you require. Build up as much Wattage as you need. This design is future today!

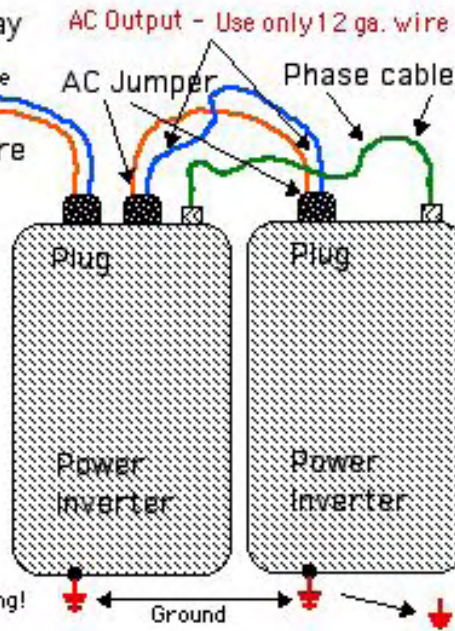
DIAGRAM FOR MOBILE PHASED SYSTEMS ONLY!

This shows how to wire a mobile power system with a stacked array

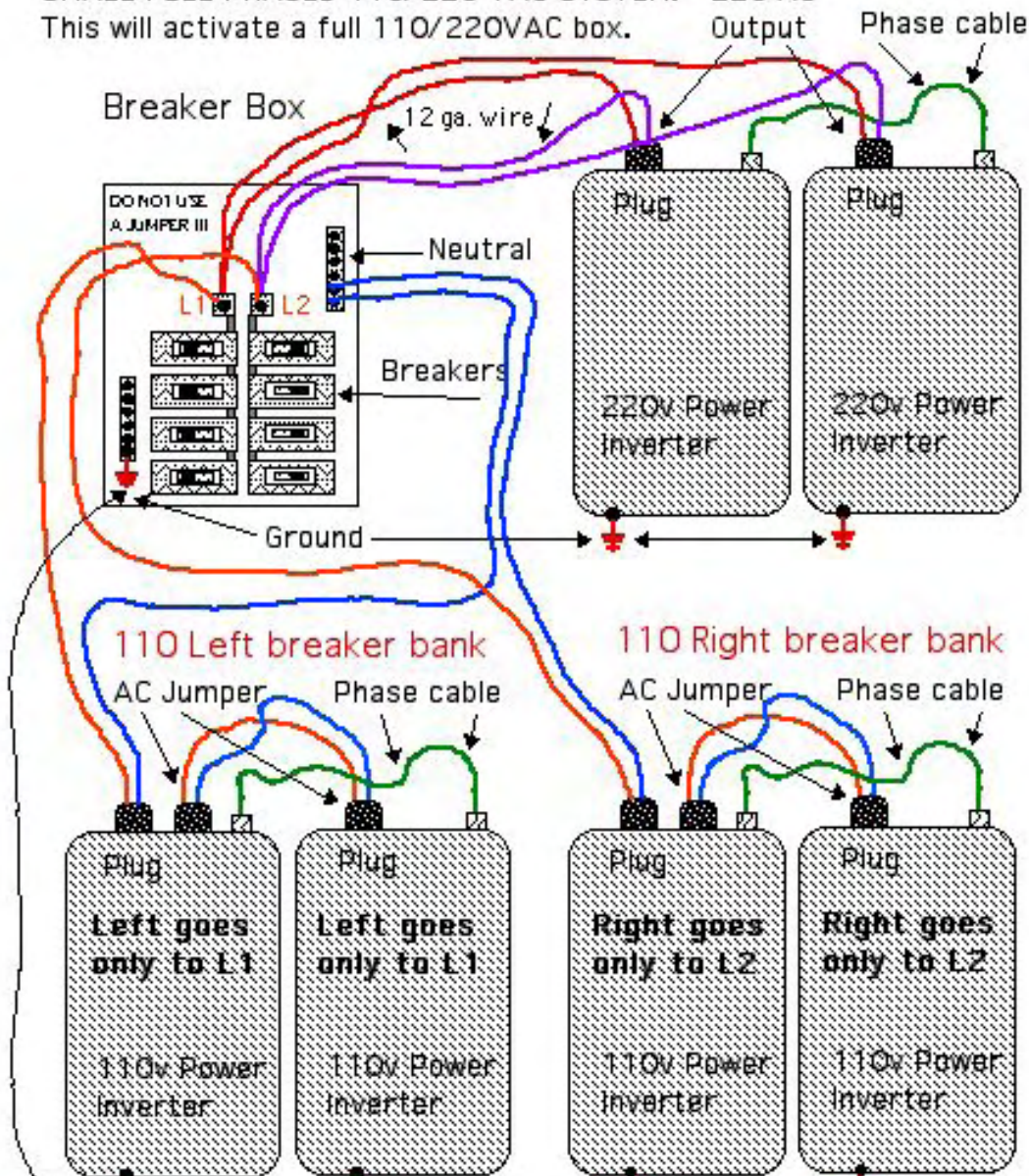
AC jumper allows all inverters share power thus increasing the total wattage. On mobile systems you can only use 3 jumpers for a total of 4 inverters before you need to go into a breaker box.

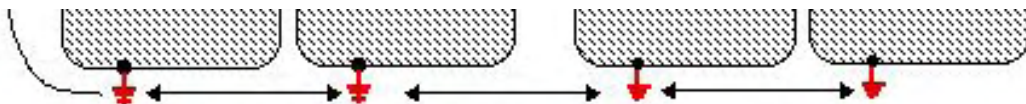
NOTE: AC jumpers must be in phase! Most power cords have a white and a black wire. Make sure they match! White wire on the left prongs and the black wire on all the right prongs! THIS IS IMPORTANT OR KABOOM!

Connect ALL phasing wires before energizing!



SMALL FULL PHASED 110/220 VAC SYSTEM. This will activate a full 110/220VAC box.





This diagram shows 2 pairs but you may add as many as you require. These are in 3 groups. 220VAC / 110VAC Left / 110VAC Right You may add more inverters to any group but we recommend that a licensed electrician do this work as it is very unforgiving of mistakes!

[MORE DIAGRAMS SHOWING NON- PHASED BREAKER BOX SYSTEM SET UPS](#)

**NOTE: USE ONLY HEAVY WIRE FROM THE BATTERY TO THE INVERTER!!!!!!
USING FINER WIRE THEN PROVIDED WILL OVER HEAT AND BURN
OUT INVERTERS VERY FAST. THE BIGGER THE WIRE IS THE BETTER!!!**

[Operation manual](#)

NEW communication cable technology allows one inverter to talk to all of the others keeping them all in phase together!

Each of these "SMART" inverters has a powerful micro computer on board.

Amazing new technology will sweep in a new era for all power inverter designs to come!

Put 10 together and get 14,000 Watts with 28,000 Watts surge!

Enough power to run a large home!

Put 100 together and get 140,000 Watts with 280,000 Watts surge!

Enough power to run a small town!

Put 1000 together and get 1,400,000 Watts with 2,800,000 Watts surge!

Enough power to run a small city!

If one inverter fails the rest of the array still works!

Redundant dependably at its best,,, just like the internet.

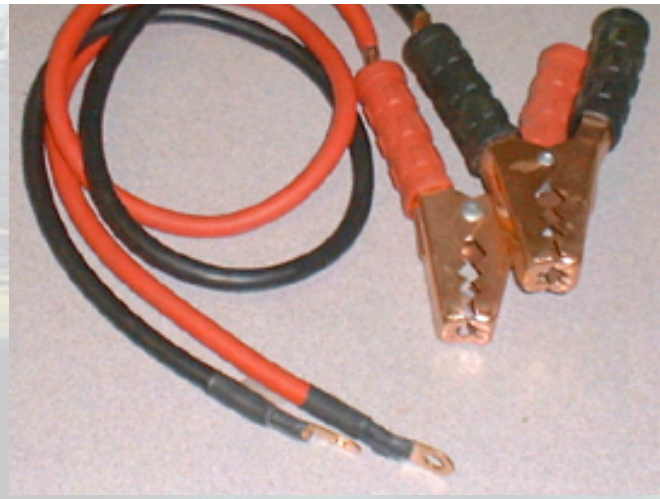
The days of having a single BIG inverter are numbered!

Learn to live without any 220 AC appliances since they are power hogs in counties that have 110 AC available.

Dry your cloths on the "fluff air" cycle and cook in any number of large sized toaster ovens and use electric skillets for frying foods.

For hot water use a LARGE 50 gallon electric. Replace the bottom 220VAC





heating element with a 110 heater and the thermostat will take over just fine. The upper heating element should go to your dump load and be a [low voltage type](#). It will take 4 hours to make 50 gallons of hot water but that is plenty for most house holds.

Stackable power inverters can be built up to operate any appliance in your household;

- Washing machines.
- Gas heated cloths dryers.
- Hair blow dryers.
- Microwave ovens.
- Refrigerators and deep freezers.
- Circular and cutoff saws.
- Sump pumps.
- Big screen TV's
- Garbage disposers.

BATTERY TALES:

Hints for people that are attempting to operate a household and are not on the grid:

Get a fork lift battery! Try calling places that sell used fork lifts. The 12 volt batteries that run fork lifts are the best! Many of these old batteries are discarded because they can no longer operate a fork lift for a full 8 hour work day but they still have enough operational life to run your household for many decades. Many can be bought at recycling prices and still have 100 times more amperage than a brand new bank of automotive type batteries that will only last for 2 or 3 years.

Lifespan of battery types while engaged in demanding alternative energy use:

Cheapest bargain store bought automotive battery - 6 to 8 months life before it goes to the junk heap.

Professional battery store bought T105 battery - 2 to 3 years life before it goes to the junk heap.

Professional battery store bought L-16 battery - 4 to 7 years life before it goes to the junk heap.

Industrial bought Fork Lift battery - The one I own is 31 years old now, I will let you all know when it finally dies.

Customer Comments: *"My fork lift battery has been powering our home for 27 years now and still charging*

strong!

I feel sorry for the people using 105's or L-16's, that is a great way to go if your goal is to create a mountain of useless lead within your life time or run out of power in the middle of dinner. This is the best advice you are ever going to get and it is your funeral if you do not listen! Our 12 volt /110 AC inverters can run for weeks at a time on our monster sized fork lift battery."

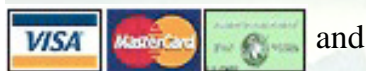
THERMODYNE SYSTEMS



4083 West Ave. "L" #107
Quartz Hill, CA 93536

Our Hours Of Operation Are Tuesday - Friday 11:00 AM to 7:00 PM

We do not have a voice phone number or a receptionist in order to keep your prices low.



and

PayPal

HOW TO PLACE AN ORDER 

Our paypal email address will be revealed when you click [HERE](#).

Questions??? Please [Email us here](#)

NO PAPER company policy. We have no written literature.

Over 175,000,000 tons of paper and other wood products are dumped into landfills annually world over.

We offer only non-polluting electronically generated information that is served here on this web site.

Power inverter 24 volt 12 volt 1800 watt AC DC power inverter 5000 watts surge inverter Power inverter 2500 watts 24 volt 12 volt 5000 watt AC DC power inverter 220 volt 240 volt watts surge inverter Power inverter 50ts 24 volt 12 volt 1800 watt AC DC power inverter 5000 watts surge inverter surge inverter Power inverter 50ts 24 volt 12 volt 1800 watt AC DC power inverter
Power inverter 50ts 24 volt 12 volt 1800 watt AC DC power inverter 5000 watts surge inverter Power inverter 2500 watts 24 volt 12 volt 5000 watt AC DC power inverter 220 volt 240 volt watts surge inverter Power inverter 50ts 24 volt 12 volt 1800 watt AC DC power inverter 5000 watts surge inverter surge inverter Power inverter 50ts 24 volt 12 volt 1800 watt AC DC power inverter
Power inverter 50ts 24 volt 12 volt 1800 watt AC DC power inverter 5000 watts surge inverter Power inverter 2500 watts 24 volt 12 volt 5000 watt AC DC power inverter 220 volt 240 volt watts surge inverter Power inverter 50ts 24 volt 12 volt 1800 watt AC DC power inverter 5000 watts surge inverter surge inverter Power inverter 50ts 24 volt 12 volt 1800 watt AC DC power inverter
Power inverter 50ts 24 volt 12 volt 1800 watt AC DC power inverter 5000 watts surge inverter Power inverter 2500 watts 24 volt 12 volt 5000 watt AC DC power inverter 220 volt 240 volt watts surge inverter Power inverter 50ts 24 volt 12 volt 1800